

Actuators for safety switches STA

- ▶ Two stainless safety screws per actuator
- ▶ Actuators with rubber bushings

Note

Type S actuators must not be used in conjunction with insertion funnels.
L actuators must be used for insertion funnels.

Straight actuator

Suitable for a maximum tensile force of 2500 N. The straight actuator is used on sliding doors or hinged doors with door radii greater than 300 mm. Safety screws prevent unscrewing of the actuator.

Bent actuator

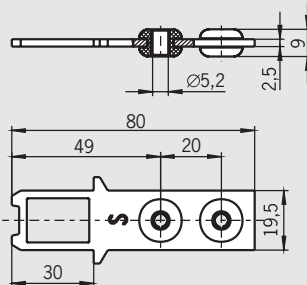
Suitable for a maximum tensile force of 1500 N.

Screws made of stainless steel

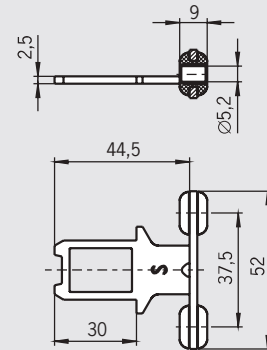
The safety screws included can be inserted with a normal tool, but cannot be removed again.

Standard actuator S, straight
Rubber bush, overtravel 5 mm

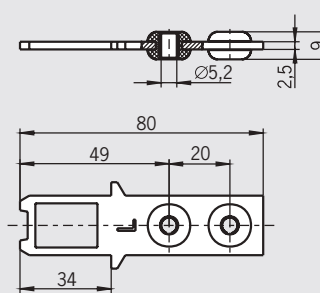
Dimension drawings



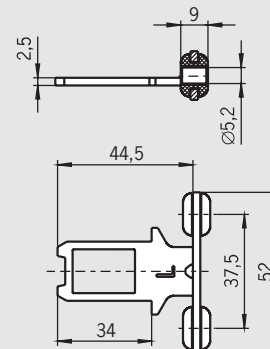
Standard actuator S, bent
Rubber bush, overtravel 5 mm



Actuator L, straight, for insertion funnel
Rubber bush, overtravel 5 mm



Actuator L, bent, for insertion funnel
Rubber bush, overtravel 5 mm



Ordering table

Designation	Version	Min. door radius r [mm]	Packaging unit	Order No.
Actuator S straight	S-GT-SN Overtravel 5 mm incl. 2 safety screws M4 x 14	300	1 ea.	095 738 ACTUATOR S-GT-SN
Actuator S bent	S-WQ-SN Overtravel 5 mm incl. 2 safety screws M4 x 14	300	1 ea.	095 740 ACTUATOR S-WQ-SN
Actuator L straight	S-GT-LN Overtravel 5 mm incl. 2 safety screws M4 x 14	300	1 ea.	095 739 ACTUATOR S-GT-LN
Actuator L bent	S-WQ-LN Overtravel 5 mm incl. 2 safety screws M4 x 14	300	1 ea.	095 741 ACTUATOR S-WQ-LN

Hinged actuators for safety switches STA

- ▶ Actuators made of stainless steel
- ▶ Two stainless safety screws per actuator
- ▶ For top and bottom hinged doors
- ▶ For right and left hinged doors

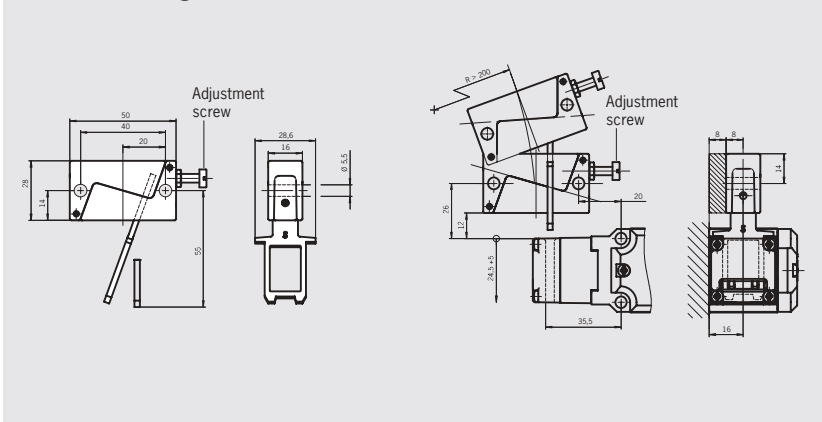
Hinged actuator

For door radii less than 1000 mm a hinged actuator should be used. The spring action movement of the actuator prevents damage due to the actuator jamming in the actuating head. Depending on the movement of the safety guard, the actuator must be selected for left/right or top/bottom.

Hinged actuator S-OU-SN

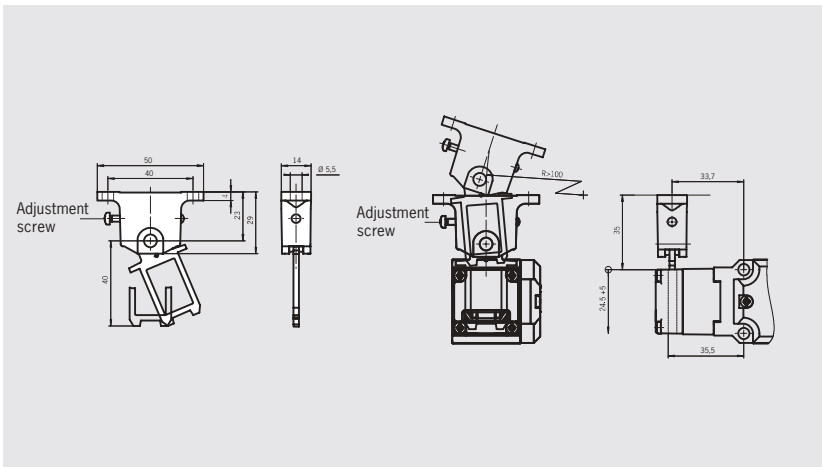
Safety guard hinged at top/bottom, overtravel 5 mm

Dimension drawings



Hinged actuator S-LR-SN

Safety guard hinged on left/right, overtravel 5 mm



Ordering table

Designation	Version	Min. door radius r [mm]	Packaging unit	Order No.
Hinged actuator	S-OU-SN For top and bottom hinged doors overtravel 5 mm incl. 2 safety screws M5 x 25	200	1 ea.	095 315 HINGED ACTUATOR-S-OU-SN
	S-LR-SN For left and right hinged doors overtravel 5 mm incl. 2 safety screws M5 x 10	100	1 ea.	096 838 HINGED ACTUATOR-S-LR-SN

For safety precautions see page 164
 For technical data see page 139

Hinged actuators for safety switches STA

- ▶ Actuators made of stainless steel
- ▶ Two stainless safety screws per actuator
- ▶ For top and bottom hinged doors
- ▶ For right and left hinged doors

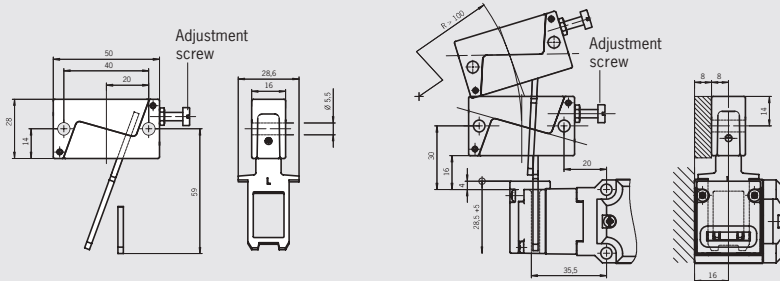
Hinged actuator

For door radii less than 1000 mm a hinged actuator should be used. The spring action movement of the actuator prevents damage due to the actuator jamming in the actuating head. Depending on the movement of the safety guard, the actuator must be selected for left/right or top/bottom.

Hinged actuator S-OU-LN for insertion funnel

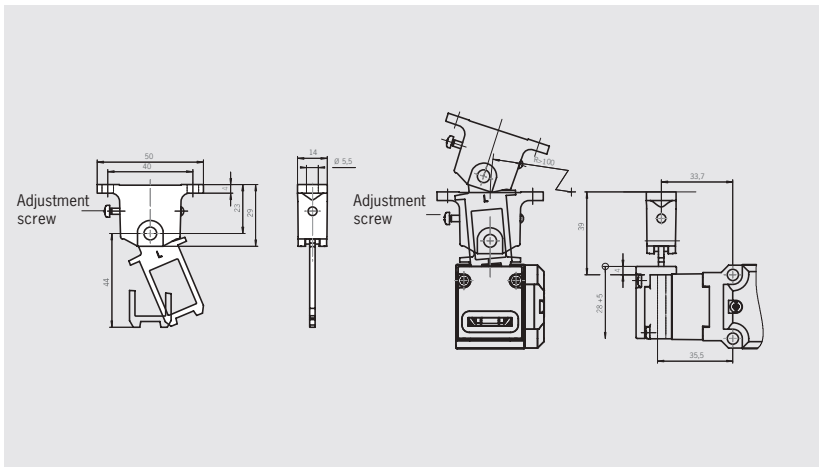
Safety guard hinged at top/bottom, overtravel 5 mm

Dimension drawings



Hinged actuator S-LR-LN for insertion funnel

Safety guard hinged on left/right, overtravel 5 mm



Ordering table

Designation	Version	Min. door radius r [mm]	Packaging unit	Order No.
Hinged actuator	O-OU-LN For top and bottom hinged doors overtravel 5 mm incl. 2 safety screws M5 x 25	200	1 ea.	096 697 HINGED ACTUATOR-S-OU-LN
	S-LR-LN For left and right hinged doors overtravel 5 mm incl. 2 safety screws M5 x 10	100	1 ea.	096 844 HINGED ACTUATOR-S-LR-LN

Mounting plates EMP for safety switches STA

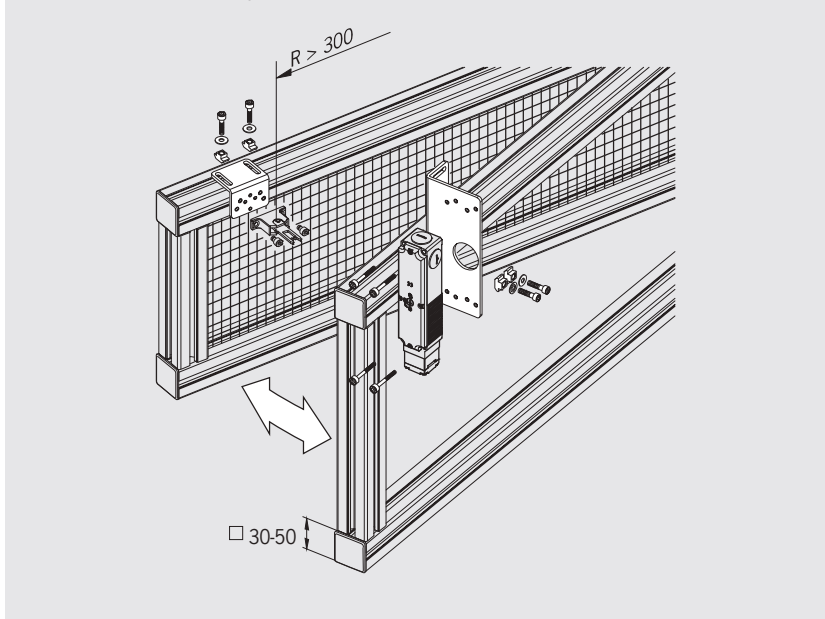
- ▶ For vertical and horizontal mounting of safety switch STA

The mounting plates are used for fastening safety switches STA and actuators to safety guards. The safety switches can be attached vertically and horizontally.


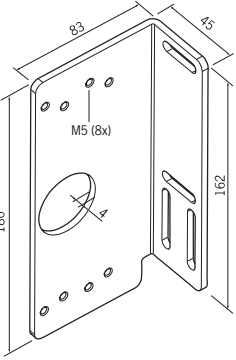
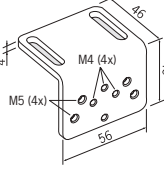
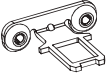
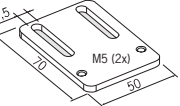
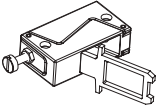
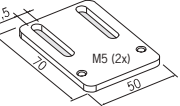
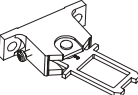
Note

- ▶ Mounting plate material: St37 galvanized

Mounting example, safety switch vertical



Ordering table

Switch	Installation method switch	Mounting plate switch	Mounting plate actuator	Actuator	Minimum distance hinge axis to switch
STA... 	A Vertical		093 457 EMP-B1 	095 740  Page 108	> 300 mm
			093 458 EMP-B2 	096 315 096 697  Page 109/110	> 200 mm
	B Horizontal		096 838 096 844  Page 109/110	> 100 mm	

For safety precautions see page 164
 For technical data see page 139

Miscellaneous accessories

- ▶ Lockout bar
- ▶ Insertion funnel

Lockout bar

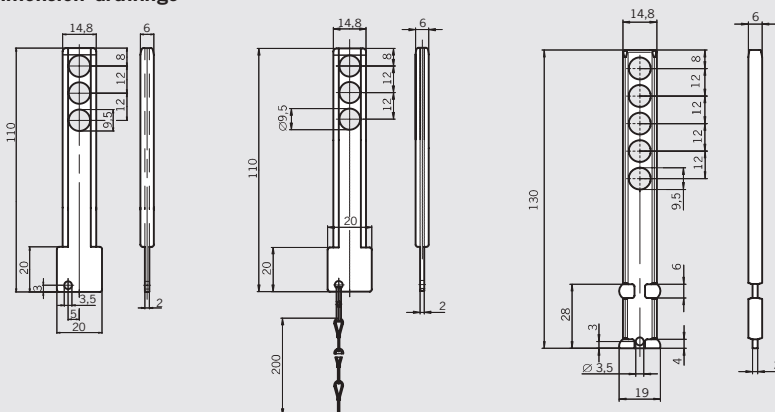
With the safety door open, can be slid into the actuating head on a switch with separate actuator instead of an actuator. Removal can be prevented using a commercially available padlock. For the protection of people in areas with a possible hazard. Cannot be used in combination with the protective plate.

Insertion funnel

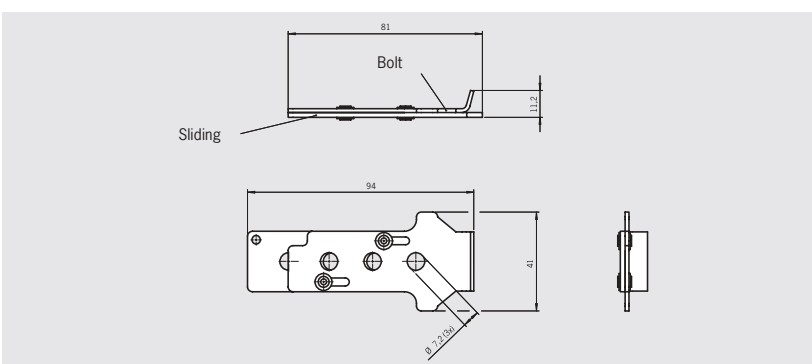
If an insertion funnel is used, even inexactly positioned actuators are inserted reliably in the actuating head due to the large opening aperture, thus protecting the safety switch against mechanical influences.

Lockout bars for safety switches NZ..VZ and TZ

Dimension drawings

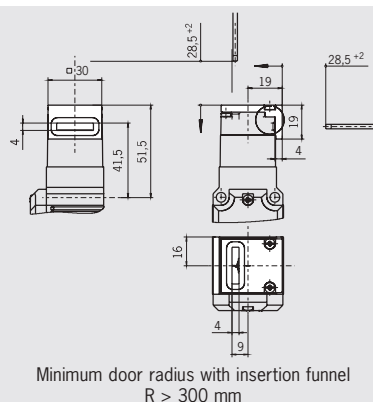


Lockout bar for safety switches NX and TX



Insertion funnel for safety switches STA/STP

Dimension drawings



Ordering table

Designation	Version	Use	Order No.
Lockout bar	3 holes	For safety switches series NZ..VZ and TZ without protective plate	046 730 Lockout bar Z
	3 holes with chain	For safety switches series NZ..VZ and TZ without protective plate	091 305 Lockout bar with chain
	5 holes	For safety switches series NZ..VZ and TZ without protective plate	086 538 Lockout bar Z
	3 holes	For safety switches NX and TX	096 098 Lockout bar TX
Insertion funnel	Incl. 2 fastening screws	For safety switches STA/STP	093 157 Insertion funnel STA

Accessories for safety switches

Solenoid plug		
Parameter	Value	Unit
Housing material	Plastic	
Number of pins	3 (2 + PE)	
Nominal voltage max.	240	V AC/DC
Degree of protection according to IEC 60529 (inserted)	IP 65	
Connection	Pillar terminals and tab terminals	

SS4		
Parameter	Value	Unit
Housing material	Brass matt chromium plated	
Number of pins	4 (3 + PE)	
Cable diameter	6 - 8	mm
Nominal voltage max.	250	V AC/DC
Degree of protection according to IEC 60529 (inserted)	IP 67	
Connection	Soldered connections	

SR6		
Parameter	Value	Unit
Housing material	Plastic	
Number of pins	7 (6 + PE)	
Cable diameter	7 - 9	mm
Nominal voltage max.	250	V AC/DC
Degree of protection according to IEC 60529 (inserted)	IP 65	
Connection	Crimp contacts 0.5 to 1.5 mm ²	

SR11		
Parameter	Value	Unit
Housing material	Plastic	
Number of pins	12 (11 + PE)	
Cable diameter	8 - 10	mm
Nominal voltage max.	50	V AC/DC
Degree of protection according to IEC 60529 (inserted)	IP 65	
Connection	Crimp contacts 0.5 to 1.5 mm ²	

RC18		
Parameter	Value	Unit
Housing material	Metal	
Number of pins	19 (18 + PE)	
Cable diameter	10 - 14	mm
Nominal voltage max.	32	V AC/DC
Degree of protection according to IEC 60529 (inserted)	IP 65	
Connection	19 crimp contacts 0.75 to 1.0 mm ²	

RC18..C1825		
Parameter	Value	Unit
Housing material	Metal	
Number of pins	19 (18 + PE)	
Cable diameter	10 - 14	mm
Nominal voltage max.	32	V AC/DC
Degree of protection according to IEC 60529 (inserted)	IP 65	
Connection	16 crimp contacts 0.38 to 0.5 mm ² 3 crimp contacts 0.75 to 1.0 mm ²	

M12 with cable (SGLF, SWLF)		
Parameter	Value	Unit
Housing material	Metal / plastic	
Number of pins	5	
Nominal voltage max.	30	V AC/DC
Degree of protection according to IEC 60529 (inserted)	IP 68	
Connection	5 open cable ends	